

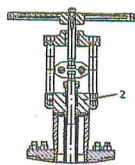
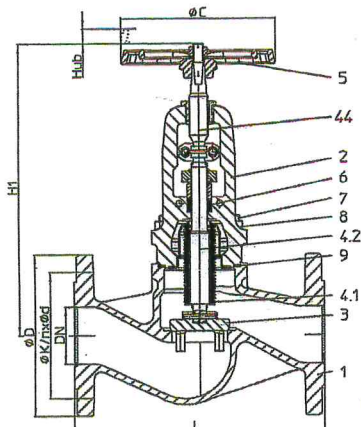
Stop valve - straight through with flanges and bellows seal - Chemical version (Cast steel)

Bonnet DN200-250
Two-piece stem

Fig. 146....154 DN15-150
Two-piece stem

Figure-No.	Nominal pressure	Material	Nominal diameter
34.146....153	PN25	1.0619+N	DN200-400
35.146....153	PN40	1.0619+N	DN15-400
34.146....154	PN25	1.0619+N	DN200-400
35.146....154	PN40	1.0619+N	DN15-400

Test: • EN ISO 15848-1 / TA - Luft TÜV-Test-No. 973-10675245-10 B

Plug design: • V-port plug with marginal seat standard

At high differential pressures a balancing plug is necessary! (refer to page 21)

Parts				Fig. 34. / 35.146....154 Two-piece stem
Pos.	Sp.p.	Description		
1		Body	GP240GH+N, 1.0619+N	
1.2		Seat	G19 9 NbSi, 1.4551	
2	x (Bonnet, cpl.)	Bonnet	≤DN150: GP240GH+N, 1.0619+N / ≥DN200: P250 GH, 1.0460; P235GH-TC1, 1.0345; P265 GH, 1.0425	
+ 4.1		Bellows seal	X6CrNiMoTi17 12 2, 1.4571	
+ 4.2		Stem	X6CrNiMoTi17 12 2, 1.4571	
+ 6		Packing ring	Pure graphite	
+ 44		Stem, top	--	X39CrMo17-1+QT, 1.4122+QT
3	x	Plug	≤DN150: X20Cr13+QT, 1.4021+QT (hardened) / ≥DN200: P265GH, 1.0425 / Stellite 21	
5		Handwheel	≤DN125: St (cataphoretic coating) / ≥DN150: EN-GJS-400-15, EN-JS1030 (epoxy-coating)	EN-GJS-400-15, EN-JS1030 (epoxy-coating)
7		Stud	25CrMo4, 1.7218	
8		Hexagon nut	C35E, 1.1181	
9	x	Gasket	Pure graphite (with CrNi-grooved)	
L Spare parts				

DN	15	20	25	32	40	50	65	80	100	125	150	200	250	300	350	400
----	----	----	----	----	----	----	----	----	-----	-----	-----	-----	-----	-----	-----	-----

Face-to-face dimension FTF series 1 acc. to DIN EN 558													Standard-flange dimensions refer to page 25				
L	(mm)	130	150	160	180	200	230	290	310	350	400	480	600	730	850	980	1100

Dimensions																		
	(mm)	225	225	230	230	270	275	300	380	460	500	570	785	940	1025	1210	1270	
H1 (One-piece stem)	(mm)	240	240	240	240	290	295	335	395	505	550	605	810	940	1025	1180	1245	
H1 (Two-piece stem)	(mm)	125	125	125	125	150	150	175	225	300	300	400	520	520	520	640	640	
ØC (One-piece stem)	(mm)	140	140	140	140	160	160	180	225	300	300	400	520	520	520	640	640	
ØC (Two-piece stem)	(mm)	6	6	8	8	13	13	16	20	25	32	40	50	70	80	90	100	
Travel	(mm)	4,4	6	10	13,3	25,5	38,5	64	90	135	215	325	580	885	1290	1708	2080	
Kvs-value	(m³/h)	--	4,2	7,1	6,2	9,5	6,3	6,7	7	8,1	8,8	8,4	7,7	7,6	8	7,8	8,3	9,4
Zeta-value	--	Zeta-value ... range of tolerance for Kvs-values acc. to VDI/DE 2173																

Weights																	
	(kg)	--	--	--	--	--	--	--	--	--	--	--	194	296	426	642	894
34.146	(kg)	4,7	5,7	7	8,1	11,6	14,2	21,9	32,3	47,6	70,6	95	245	330	458	693	953
35.146	(kg)																

Information / restriction of technical rules need to be observed!
 Operating and installation instructions can be downloaded at www.ari-armaturen.com.
 A production allowance acc. to TRB 801 No. 45 exists
 The engineer, designing a system or a plant, is responsible for the selection of the correct valve.
 Resistance and fitness must be verified (contact manufacturer for information, refer to Product overview and Resistance list).